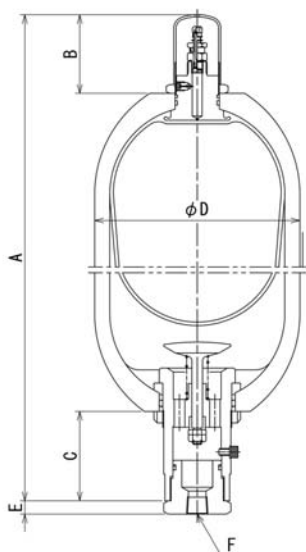


GENERAL SERIES



Model Spec.	G175	G230	G300	G350
Max. W.P.	17.2MPa	22.6MPa	29.5MPa	34.4MPa
Gas type	N ₂ gas			
Precharge pressure limits	0.25 × P ₃ < P ₁ < 0.9 × P ₂ (P ₁ =Precharge pressure, P ₂ =Min working pressure, P ₃ =Max working pressure)			
Installation	Vertically (Oil side is downward)			
Surface treatment	Fluid = Oil : Parkerizing Fluid = Water, etc. : Nickel plating Note: Stainless steel type is shown in page 13.			
Model symbols	G 230—10 H—20 Rubber Materials: 10. (NBR)Low Temperature, 20. (NBR)Mineral Oil, 30. (CHC)Aromatic Material, 40. (IIR)Phosphate Ester, 28. (FKM)Chemical Material Hi-Flow TYPE Nominal gas volume of the accumulator (ℓ) Max working pressure Series			

Model	Dimensions	Max W.P. (MPa)	Gas volume (ℓ)	Mass (kg)	A (mm)	B (mm)	C (mm)	D (mm)	E (mm)	F	Max allowable discharge flow (ℓ/min)
G175—1 —2.5 —4 —5 —10 —20 —30 —50 —60	17.2		1.2	9	391	107	64	118	10	Standard unit comes with a bushing Rc3/4 connection. As to a flange connection, refer to page 16.	342
			2.4	15	577			120			
			3.7	18	474			168.3			
			4.7	20	536						
			12.0	44	660						
			20.8	61	933						
			37.2	96	1444						
			53.1	128	1952						
			64.7	152	2318						
			G175—10H —20H —30H —50H —60H	17.2				11.3			
20.1	76	922									
36.5	111	1433									
52.4	143	1941									
64.0	167	2307									
G230—10 —20 —30 —50 —60 —10H —20H —30H —50H —60H	22.6		10.6	55	662	89	101	232	15	Standard unit comes with a bushing Rc3/4 connection. As to a flange connection, refer to page 16.	1400
			19.0	79	935						
			34.0	127	1446						
			48.5	172	1954						
			59.4	206	2320						
			9.9	70	653						
			18.5	94	926						
			33.6	142	1437						
			48.1	187	1945						
			58.7	221	2311						
G300—1 —2.5 —4 —5	29.5		1.2	10	391	107	64	120	10	Standard unit comes with a bushing Rc3/4 connection.	342
			2.4	20	577			127			
			3.6	19	458			177.8			
			4.6	22	514						
G350—1 —10 —20 —30 —50 —60 —10H —20H —30H —50H —60H	34.4		1.2	10	391	89	64	120	15	Standard unit comes with a bushing Rc3/4 connection. As to a flange connection, refer to page 16.	1400
			10.1	65	647						
			19.0	102	945						
			34.2	163	1456						
			49.3	219	1964						
			60.0	262	2322						
			9.4	80	633						
			18.3	117	931						
			33.5	178	1442						
			48.7	234	1950						
			59.3	277	2308						

◎Refer to page 16 for flange connection.

◎Maximum allowable discharge flow is designed in the case where the fluid material is mineral oil VG46.