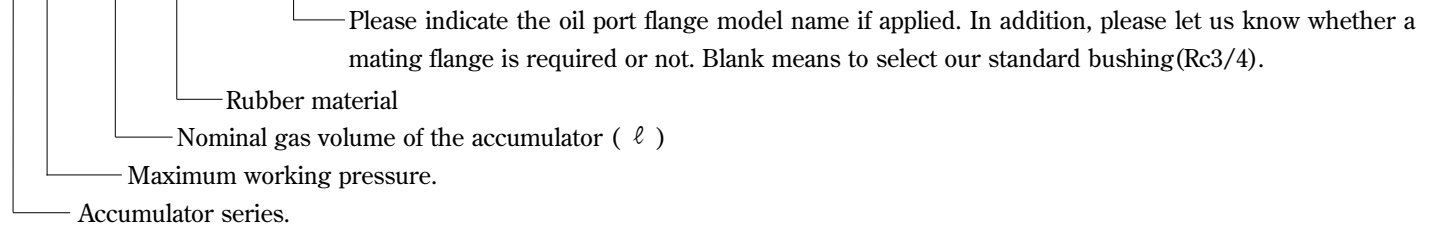


OIL PORT FLANGE

If a flange connection is applied, we recommend to choose it from models shown in the followings.

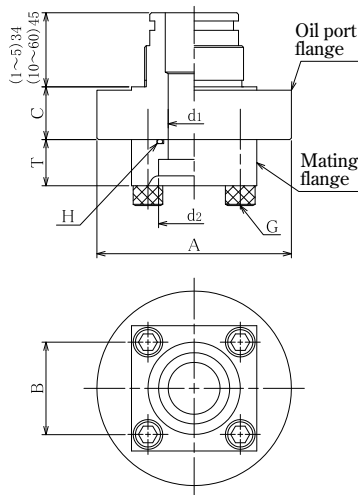
Model symbols :

G 230 — 10 — 20 — OPF — B20 (Require a mating flange.)



※ All oil port flange comes with seal parts.

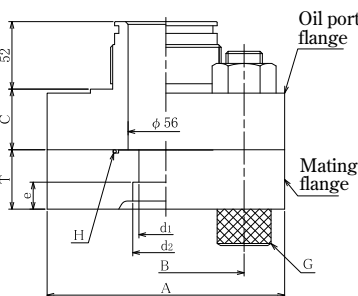
For 1 to 60 liter accumulators



Press	Nominal volume	Model	Nominal dia.mm	A (mm)	B (mm)	C (mm)	d1 (mm)	d2 (mm)	T (mm)	G	H	Mating flange	Standard
20.6 MPa	1 ~ 5	OPF-A	15 (1/2 B)	88	45	28	16	22.2	25	M12	G25	NHA15	Nakamura in-house standard
			20 (3/4 B)	88	45	28	20	27.7	22	M10	G30	SHA20	JIS
			25 (1 B)	88	48	28	24	34.5	28	M12	G35	SSA25	B2291
	10 ~ 60	OPF-B	15 (1/2 B)	88	45	28	16	22.2	25	M12	G25	NHA15	Nakamura in-house standard
			20 (3/4 B)	88	45	28	20	27.7	22	M10	G30	SHA20	JIS
			25 (1 B)	88	48	28	25	34.5	28	M12	G35	SSA25	B2291
32 (1 1/4 B)			118	56	32	31.5	43.2	28	M12	G40	SSA32		
40 (1 1/2 B)			118	65	32	35	49.1	36	M16	G50	SSA40		
34.4 MPa	1 ~ 5	OPF-C	15 (1/2 B)	88	45	28	16	22.2	25	M12	G25	NFA15	
			20 (3/4 B)	88	48	28	20	27.7	25	M12	G30	NFA20	
			25 (1 B)	118	56	32	24	34.5	31	M16	G35	NFA25	
	10 ~ 60	OPF-D	15 (1/2 B)	88	45	28	16	22.2	25	M12	G25	NFA15	Nakamura in-house standard
			20 (3/4 B)	88	48	28	20	27.7	25	M12	G30	NFA20	
			25 (1 B)	118	56	32	25	34.5	31	M16	G35	NFA25	
			32 (1 1/4 B)	118	65	32	31.5	43.2	31	M16	G40	NFA32	
			40 (1 1/2 B)	144	75	40	35	49.4	39	M20	G50	NFA40	
			50 (2 B)	156	84	48	35	61.1	47	M20	G60	NFA50	

◎ Please let us know whether a mating flange is necessary or not.

For high flow (H type) and 40 to 230 liter accumulators



Press	Nominal volume	Model	Nominal dia.	A (mm)	B (mm)	C (mm)	d1 (mm)	d2 (mm)	T (mm)	e (mm)	H	G	Mating flange	Standard
20.6 MPa	10H ~ 60H and 40 ~ 230	OPF-S	32 (1 1/4 B)	φ 118	56	44	31.5	43.2	28	16	G40	M12	SSA32	JIS B2291
			40 (1 1/2 B)	φ 135	65	44	37.5	49.1	36	18	G50	M16	SSA40	
			50 (2 B)	φ 144	73	44	47.5	61.1	36	20	G60	M16	SSA50	
			65 (2 1/2 B)	φ 185	92	45	60	77.1	45	22	G75	M20	SSA65	
			80 (3 B)	φ 200	103	45	71	90.0	45	25	G85	M22	SSA80	
22.6 MPa	10H ~ 60H and 40 ~ 230	OPF-H	32 (1 1/4 B)	□ 153	110	44	32	43.2	43	18	G80	M24	NHFA32	Nakamura in-house standard
			40 (1 1/2 B)	□ 153	110	44	40	49.1	43	20	G80	M24	NHFA40	
			50 (2 B)	□ 153	110	44	50	61.1	43	23	G80	M24	NHFA50	
			65 (2 1/2 B)	□ 153	110	44	64	77.1	43	28	G80	M24	NHFA65	
			80 (3 B)	□ 153	110	44	71	90.0	43	31	G80	M24	NHFA80	
34.4 MPa	10H ~ 60H and 40 ~ 230	OPF-J	32 (1 1/4 B)	□ 176	116	45	32	43.2	44	18	G65	M27	NHFA32J	Nakamura in-house standard
			40 (1 1/2 B)	□ 176	116	45	40	49.1	44	20	G65	M27	NHFA40J	
			50 (2 B)	□ 176	116	45	50	61.1	44	23	G65	M27	NHFA50J	
			65 (2 1/2 B)	□ 176	116	45	56	77.1	44	28	G65	M27	NHFA65J	
			80 (3 B)	□ 176	116	45	56	90.0	44	31	G65	M27	NHFA80J	

◎ Please let us know if you need the product in other standard such as ASME, API, JPI, DIN etc. or specify the material.